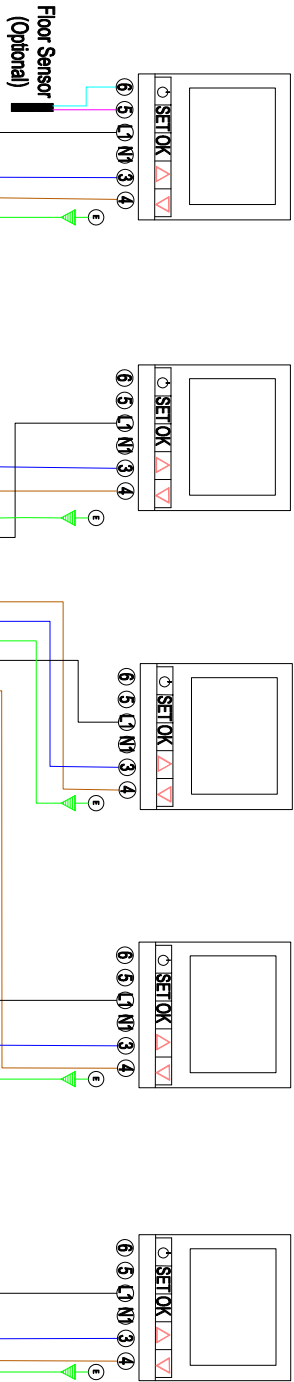
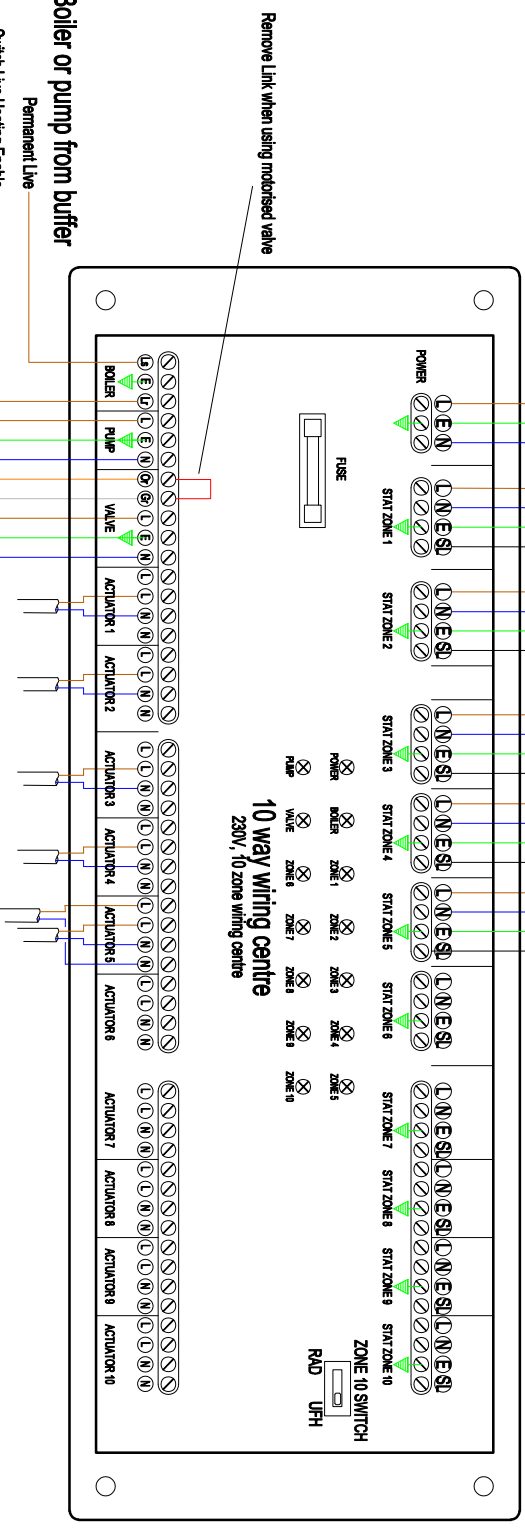


C2 Energy Ltd stat (Thermostat 1)
 C2 Energy Ltd stat (Thermostat 2)
 C2 Energy Ltd stat (Thermostat 3)
 C2 Energy Ltd stat (Thermostat 4)
 C2 Energy Ltd stat (Thermostat 5)

(Optional sensors shown as example)

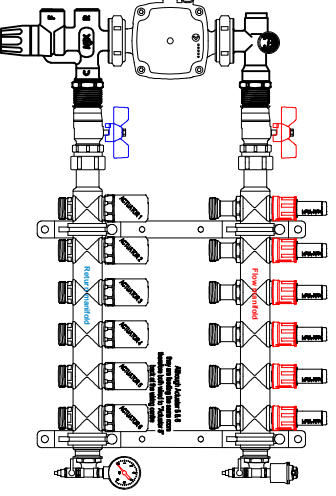
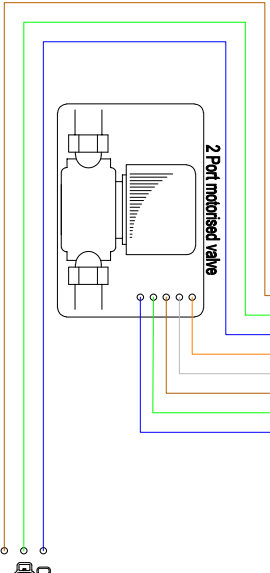


230V AC Supply
 (Via Heating/Water System Fused Spur)



Boiler or pump from buffer
 Permanent Live
 Switch Live Heating Enable

(Connection to Thermal Actuators)



UFH Manifold
 (Using 230V Actuators)



Project	UB10+ C2 Energy Stat
Title	Wiring diagram incorporating UB10 wiring centre with C2 Energy thermostats with optional sensors.
Scale	N/A
Date	Dec 2021
Drawn	TBC
Checked	RVL

NOTES
 THIS DRAWING IS CONFIDENTIAL AND THE COPYRIGHT PROPERTY OF C2 Energy Ltd. IT IS NOT TO BE DISCLOSED, LOANED OR COPIED WITHOUT WRITTEN PERMISSION.
 ALL DRAWINGS ARE BASED UPON THE INFORMATION SUPPLIED SO THE CLIENT SHOULD SATISFY THEMSELVES THAT THE DESIGN MEETS ALL THE REQUIREMENTS.